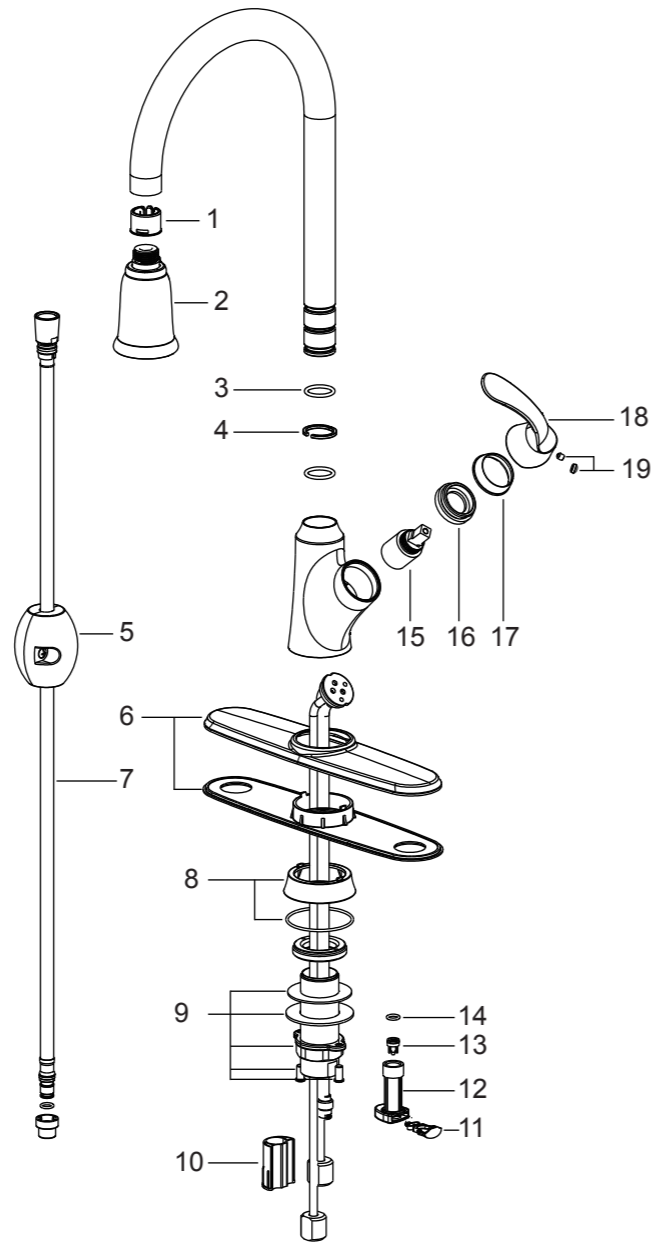


Replacement Parts / Pièces de rechange / Repuestos

UF15000
UF15003
UF15005

No.	Description	Part No.
1	Hose Guide	5Y0P0014PL
2	Sprayer	5F0M0112CP/AP/HA
3	O-Ring	5R0R0152PL
4	Clamping Ring	5M0P0016PL
5	Weight	5X0M0063PL
6	Deck Plate Assembly	9Q0978CP/AP/HA
7	Spray Hose	5G0M0142CP7
8	Base Assembly	9Q0977CP/AP/HA
9	Mounting Hardware Assembly	5Q0M0336NT
10	Hose Guide	53013138PL
11	Retainer Clip	5M0P0132PL
12	Quick Connector	5L0P0440PL
13	Check Valve	5D0M0003PL
14	O-Ring	52006913PL
15	Ceramic Disc Cartridge	5D8005400PL0
16	Retainer Nut	5N0C0697NT
17	Trim Cap	5L0C0283CP/AP/HA
18	Handle	5Q0M0127PL
19	Screw & Button	5M0P0016PL



Limited Lifetime Warranty

Ultra Faucets warrants to the original purchaser that its products will be free from defects in workmanship and materials. All Ultra Faucets are provided with a life time limited warranty. This warranty does not cover any other labor or service charges associated with the removal, repair, or reinstallation of Ultra Faucets products. This express warranty does not apply to products that have been damaged as a result of misuse, abuse, negligence, accident, faulty installation or maintenance practices and/or used in any manner contrary to those recommended by the manufacturer.

Need help? Please call our toll-free customer service line at 1-888-658-5872 for additional assistance or service.

Besoin d'aide? Veuillez communiquer avec notre service à la clientèle au numéro gratuit 1-888-658-5872 pour tous renseignements ou services complémentaires.

¿Requiere asistencia? Llame a nuestro Servicio al Cliente, sin costo, al 1-888-658-5872 para asistencia adicional o servicio.

Stiletto Collection

Single-Handle Kitchen Faucet with Pull-Down Spray



Installation/Installation/Instalación

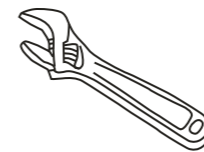
CUSTOMER SERVICE

TOLL-FREE 1-888-OK-ULTRA (658-5872)

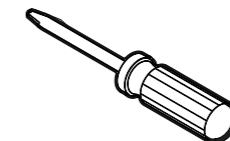


UF15000 - Polished Chrome
UF15003 - PVD Brushed Nickel
UF15005 - Oil Rubbed Bronze

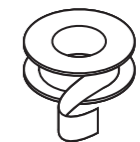
Tools You Will Need / Outils dont vous aurez besoin / Herramientas necesarias



Adjustable Wrench
Clé à molette
Llave ajustable



Phillips Screwdriver
Tournevis Phillips
Destornillador cruciforme



Pipe Tape
Ruban pour tuyau
Cinta selladora para tubería

SAFETY TIPS

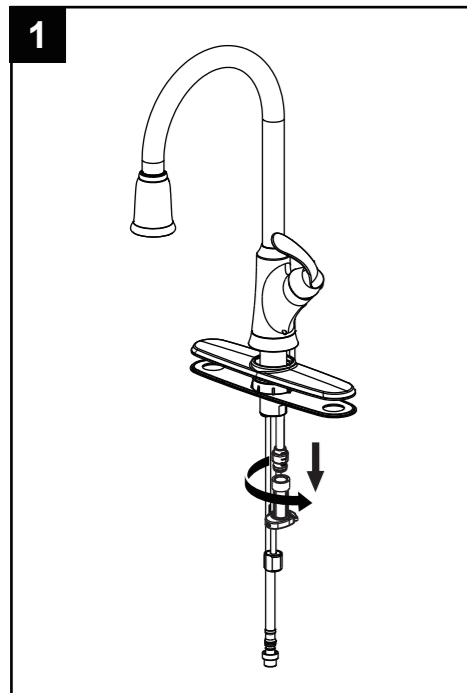
- If you use soldering for the installation of the faucet, the seats, cartridges and washers will have to be removed before using flame. Otherwise, warranty will be void on those parts.
- Cover your drain to avoid losing parts.
- 0°C~55°C.

CONSIGNES DE SÉCURITÉ

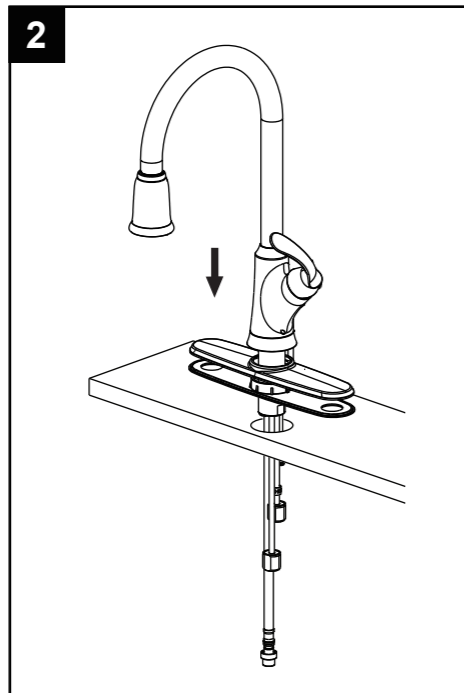
- Si vous posez le robinet par brasage, il est essentiel de retirer les sièges, les cartouches et les rondelles avant d'appliquer la flamme, faute de quoi la garantie sur ces pièces sera annulée.
- Couvrez le drain pour ne pas perdre des pièces.
- 0°C~55°C.

CONSEJOS DE SEGURIDAD

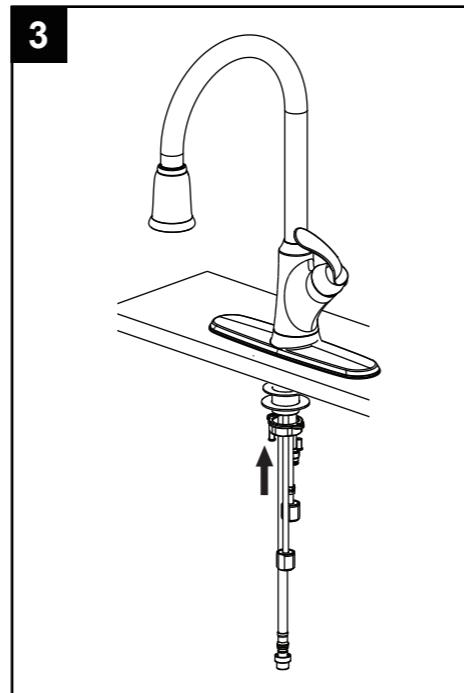
- En el caso de utilizar soldadura para instalar el grifo, remueva los asientos, cartuchos y arandelas antes de usar la llama. De lo contrario, se anulará la garantía para esos componentes.
- Tape la boca del desagüe para prevenir la pérdida de piezas pequeñas.
- 0°C~55°C.



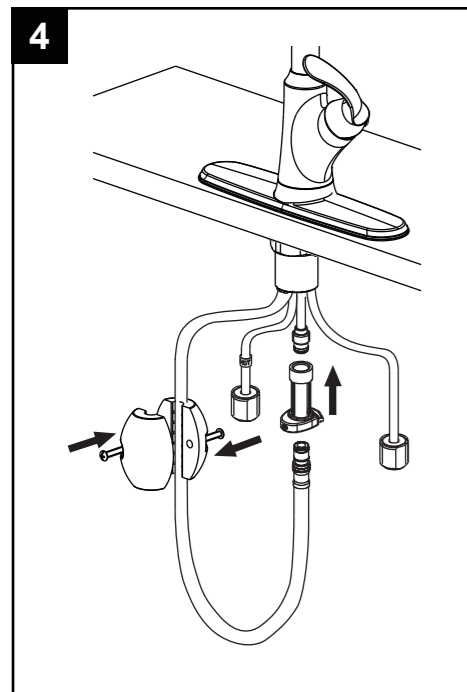
Remove the quick connector.



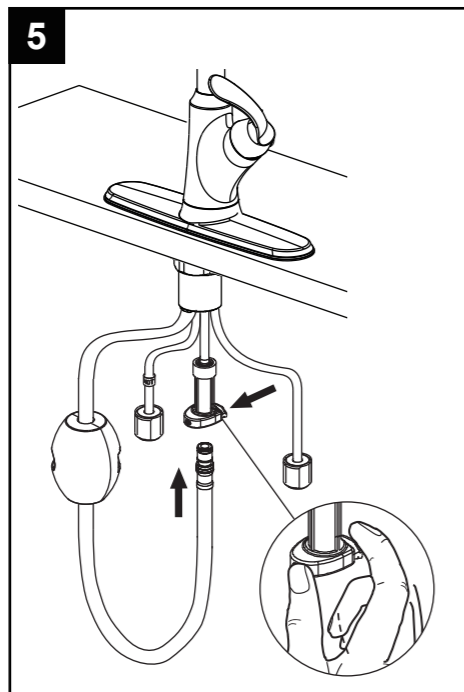
Install the faucet through the mounting hole.



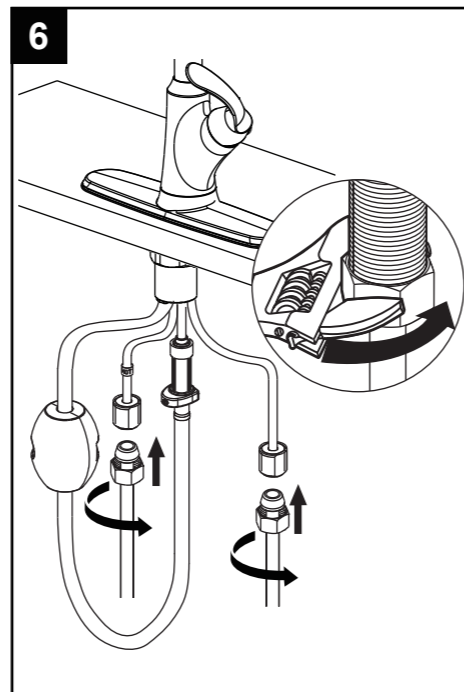
Install washer, gasket and mounting nuts onto the shank to cover the mounting hole.
Tighten the mounting nut.



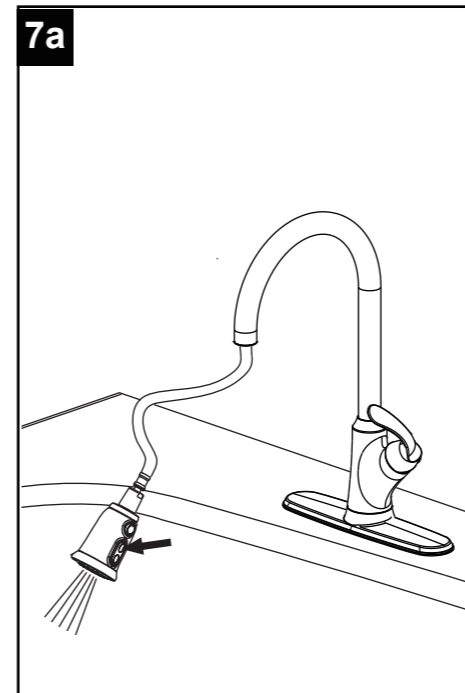
Fasten the weight to the retractable hose with screws, and then install the quick connector on the outlet pipe.



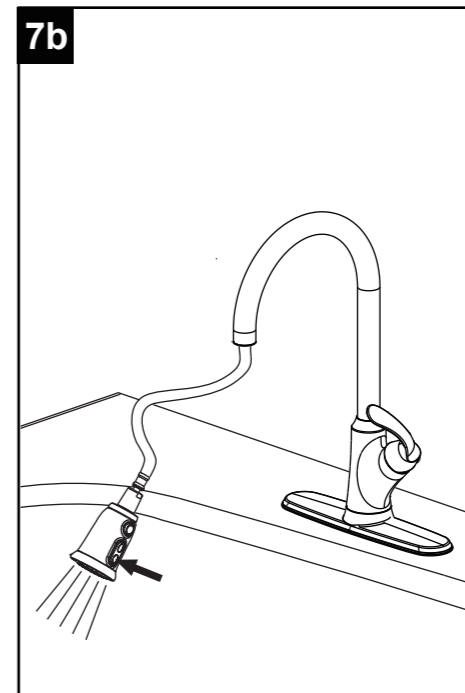
Press the button of the quick connector and connect it with the hose.



Use supply hoses (not included) to connect the cold and hot copper inlets to angle valves. Use wrench to tighten the coupling nuts.
Turn on water supplies and check all connections for leaks.



Turn on the handle and press the spray head button into the position shown by the arrow to check the operation. This position is for stream function.



Press the spray head button into the other position as shown by the arrow to check for the operation. This position is for the spray function.